



RoHS Compliant



Sealed Tactile

Specifications

Electrical Ratings	50mA @ 24VDC
Electrical Life	10,000,000 cycles typical
Contact Resistance	<50mΩ initial
Actuation Force	350 ± 100gF
Actuation Travel	1.0 ± 0.3mm

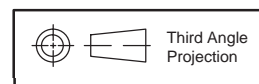
Dielectric Strength	250Vrms min between contacts
Insulation Resistance	>100MΩ min @ 250VDC
Operating Temperature	-40°C to 85°C
Storage Temperature	-40°C to 85°C

Materials

Actuator	PA6T Polyamide
Housing/Cover	PA6T Polyamide
Internal Seal	Silicon Rubber
Dome Contact	Stainless Steel, Silver Plated
Contacts/Terminals	Copper Alloy, Silver Plated

Ordering Information

1. Series	ME	01	12.0	F350	2
TPS10					
2. Mounting					
01 = Through Hole					
02 = Surface Mount (SMT)					
3. Actuator Height					
6.0 = 6.0mm					
6.4 = 6.4mm					
8.0 = 8.0mm					
9.5 = 9.5mm					
10.4 = 10.4mm					
11.0 = 11.0mm					
12.0 = 12.0mm					
15.0 = 15.0mm					
4. Actuation Force					
F350 = 350gF					
5. Actuator Colors					
2 = Black (standard)					
**Contact Factory for additional colors					

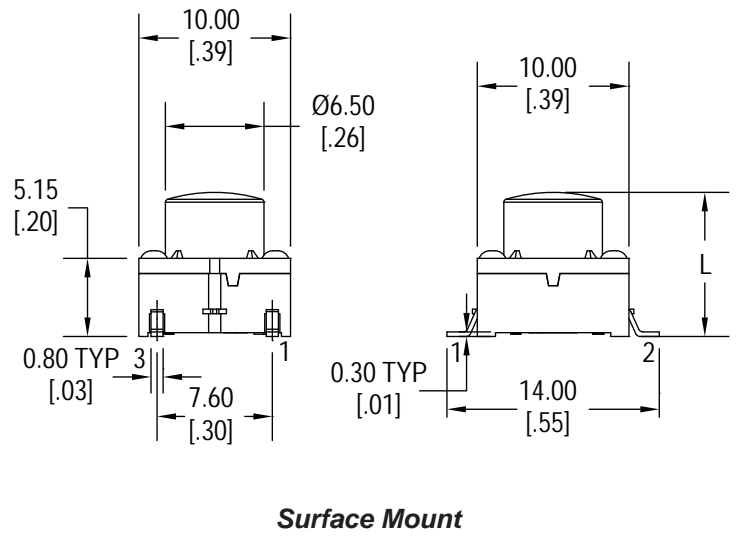
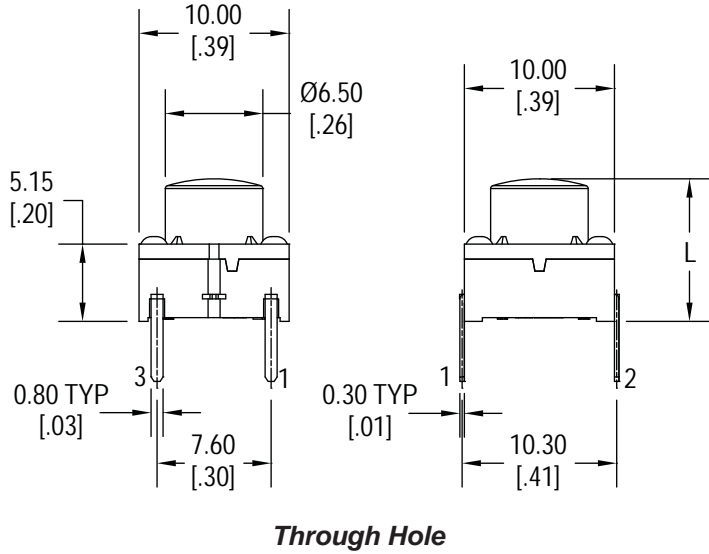


Third Angle
Projection

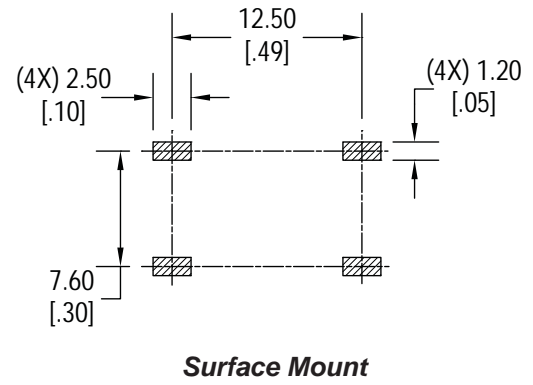
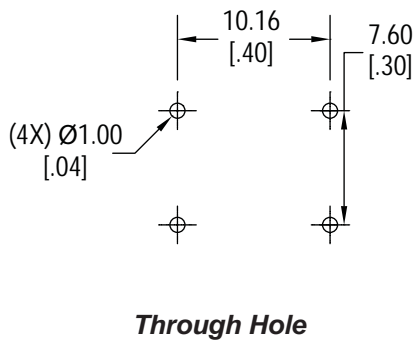
Dimensions are shown: mm
Specifications and dimensions subject to change

www.ROCPU.TW

Dimensions



PC Layout



Schematic

